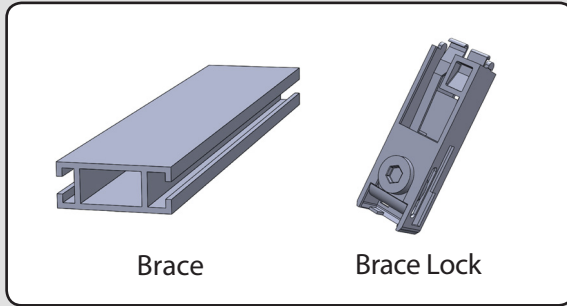


Brace & Brace Lock

- ✓ Compatible with TEX-120D only
- ✓ Easy to assemble, can be fitted after main frame is assembled



Specifications

Material:

Aluminium 6063 T6

Brace Dimensions:

Width : 40mm
Height : 16mm
Length : 6000mm

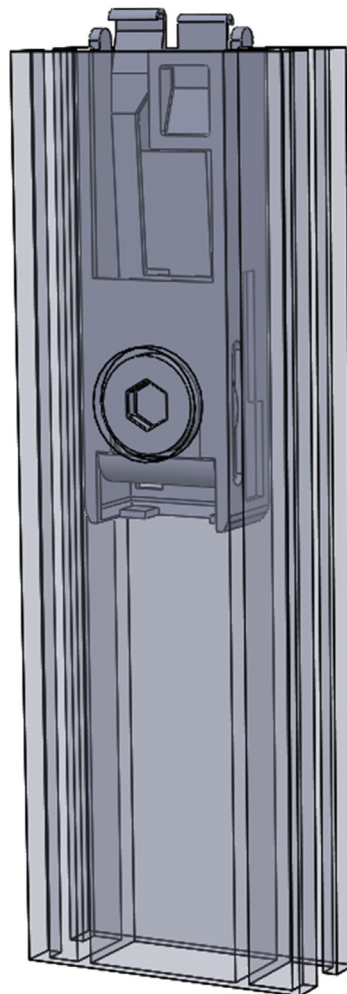
Finish:

- Anodised

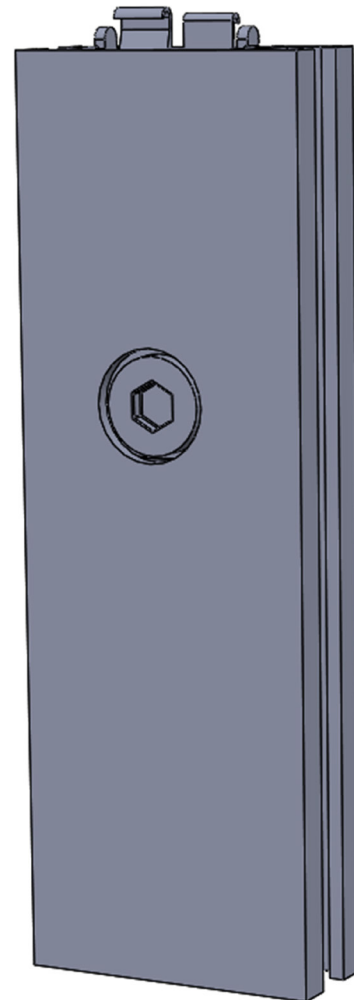
Compatible parts:

- Brace Lock
- TEX-120D

Brace & Lock;
with translucent brace
showing inner structure



Brace & Lock;
showing assembly



1 For further information, refer to our list of materials which we have evaluated for use with Spirit-TEX.
2 Please ensure SpiritTEX is a suitable solution for the specific application, the site and other local conditions.