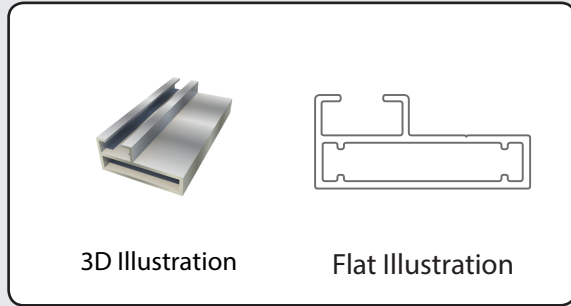


## FLEX-F2



- ✓ A versatile profile for use on a wide variety of surfaces
- ✓ The extra hollow section provides additional strength
- ✓ A good solution for aluminium cladding and plasterboard
- ✓ Suitable for installing banners of more than 300sqm<sup>2</sup>

### Specifications

**Material:**

Aluminium 6063 T6

**Dimensions:**

Width : 50mm  
 Height : 22mm  
 Length : 3060mm

**Finish:**

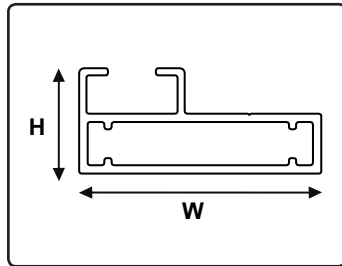
- Mill
- Other finishes available, subject to quantity.

**Specials:**

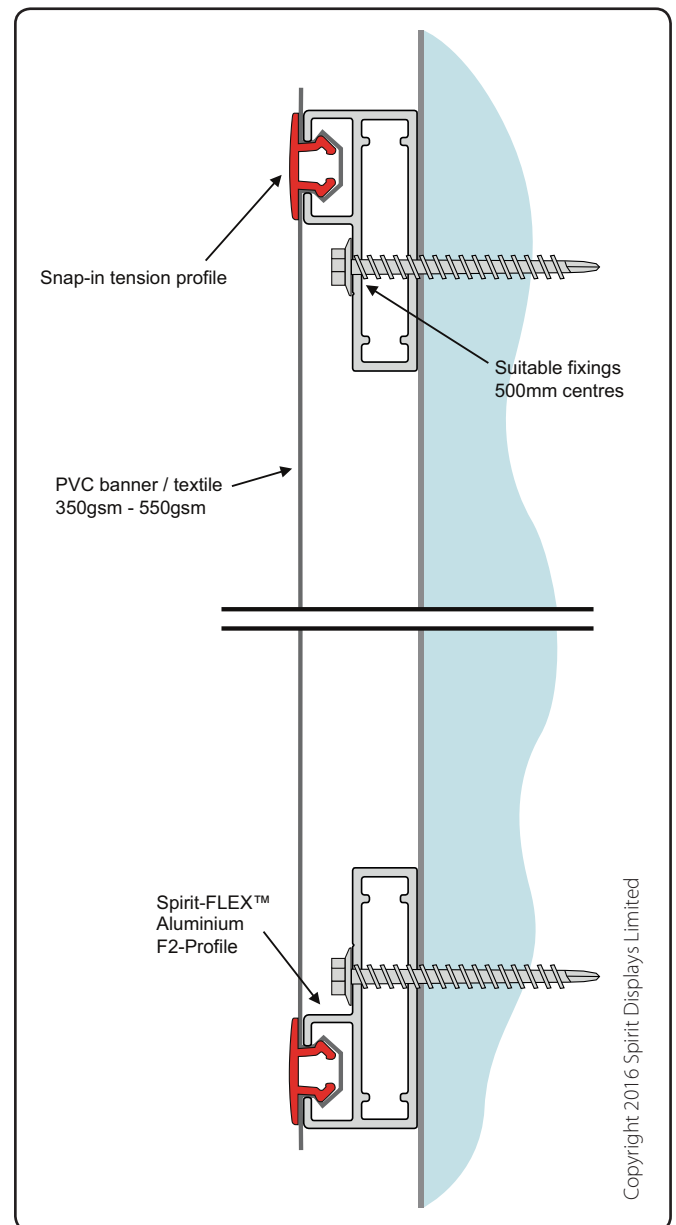
Contact us

**Compatible parts:**

- Snap-in tension profile
- Connector brackets



### Example Fitting



1 Please ensure Spirit-Flex is a suitable solution for the specific application, the site and other local conditions. 2 For further information, refer to our list of materials which we have evaluated for use with Spirit-Flex.